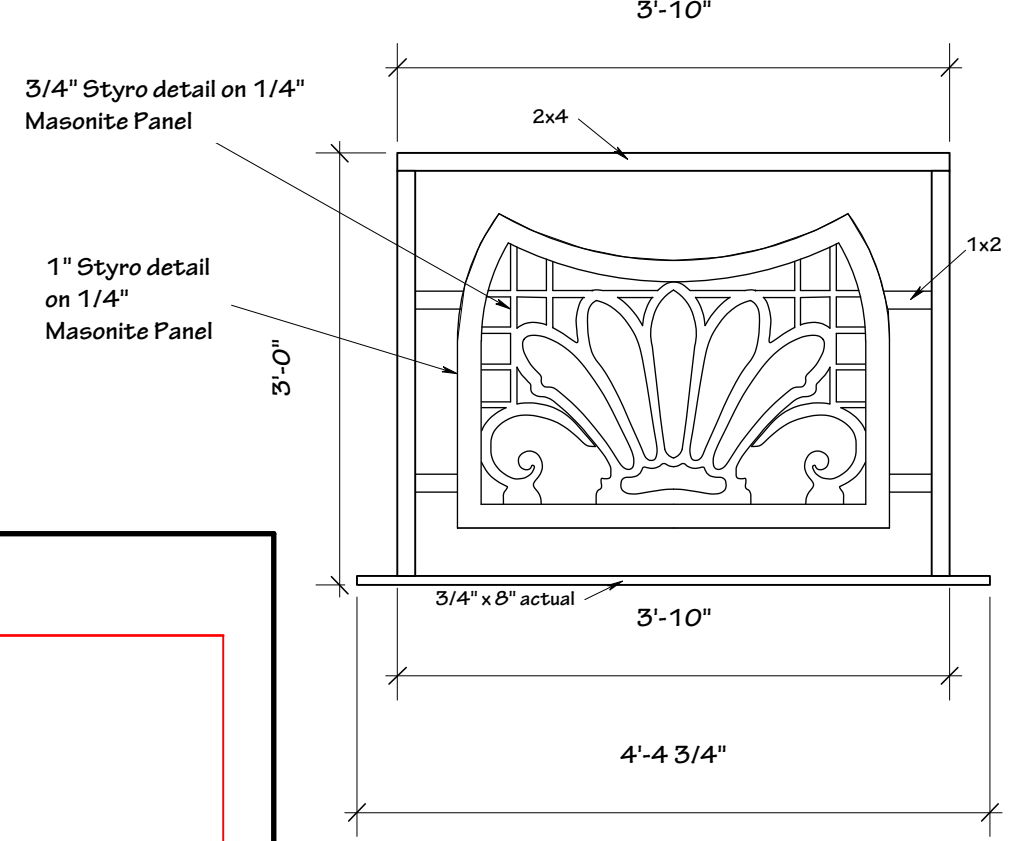
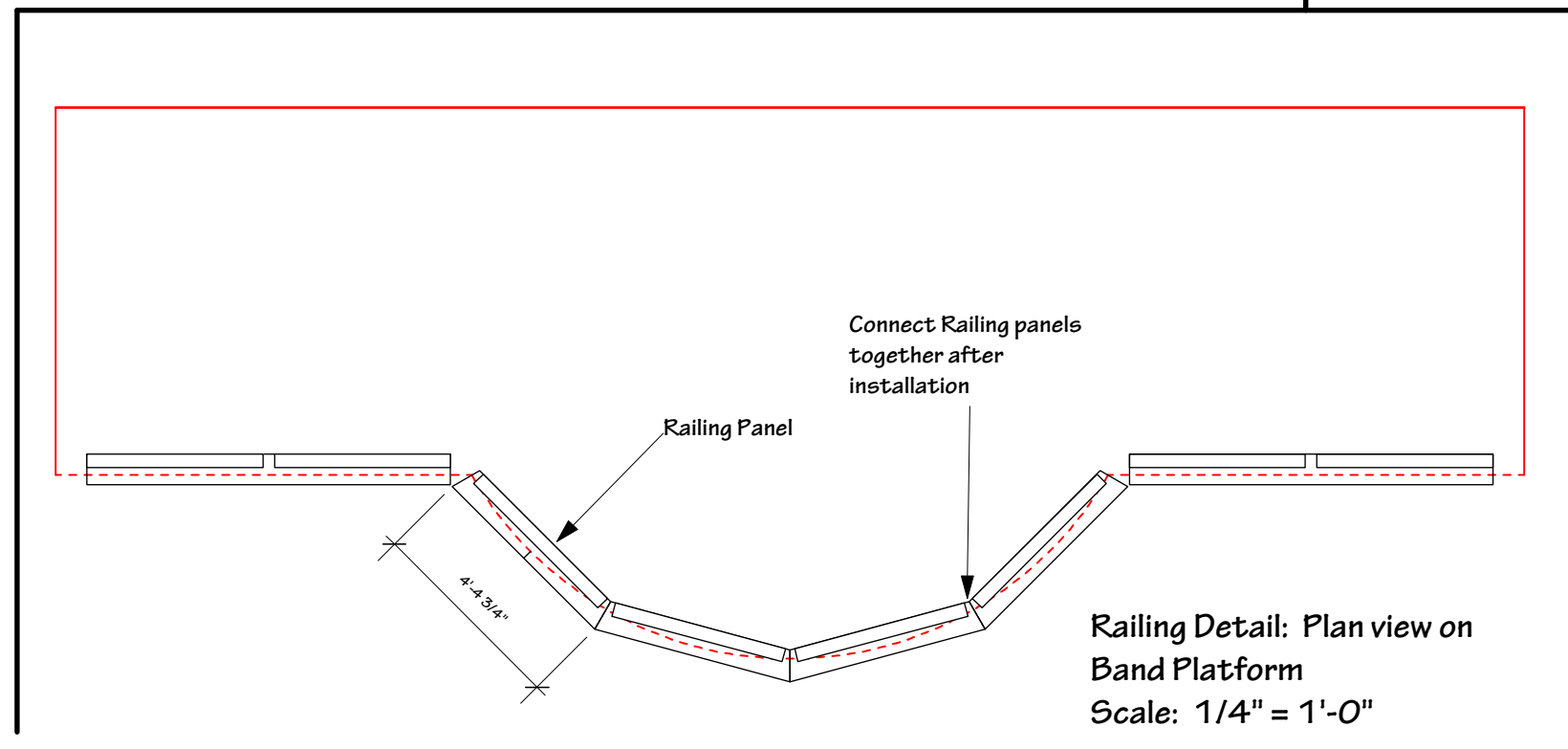


Railing Detail: Section view: Band Platform
 Scale: 1 1/2" = 1'-0"



Railing Panel Detail: Front Elevation
 Scale: 3/4" = 1'-0"

** See 3D detail and styro detail on plate 6



Railing Detail: Plan view on Band Platform
 Scale: 1/4" = 1'-0"

Producing Organization Northfield Schools	Production Title 2011 Rock N Roll Revival	Director Tom McKown	Drawing Information Date 1/09/11 Revision: 1/09/11 Drawn By B. Bjorklund	Scale As Noted	Railing Detail: Band Platform	Drawing Number 4 of 11
---	---	-------------------------------	---	--------------------------	--------------------------------------	----------------------------------