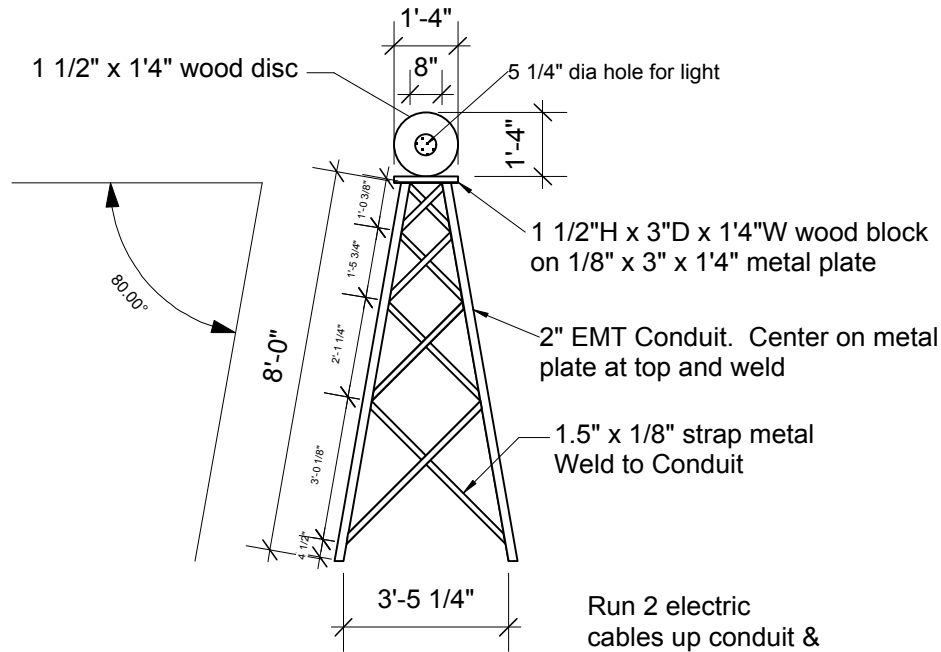


Radio Tower

Bolt to Background Wall as shown on Plate # 2.
See construction details at right ---->



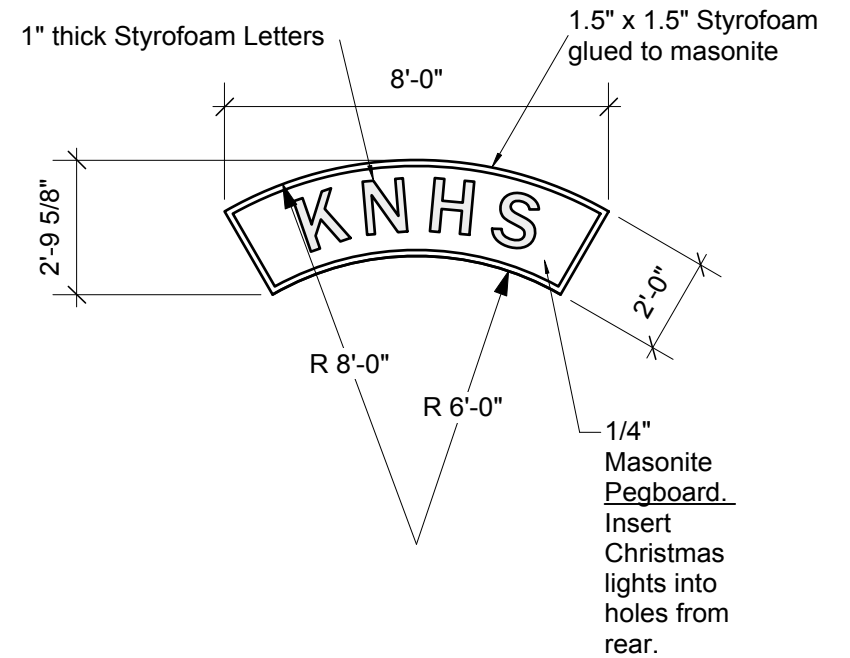
Rolling Light Stands (3)
Provided by B.Bjorklund from stock



Run 2 electric cables up conduit & through plate for lights (#16 guage lamp cord)



Tower Light Source:
Clip-on light;
Modified and inserted into 5 1/4" hole
(Not to scale)



Franklin Gothic Medium Bold 30pt

Producing Organization	Production Title	Designer	Drawing Information	Scale	Drawing Name	Drawing Number
Northfield Schools	2013 Rock N Roll Revival	Brian Bjorklund	Date 12/01/12 Drawn By: B. Bjorklund	1/4"=1'-0"		7 of X
			Revision: 12/30/12			