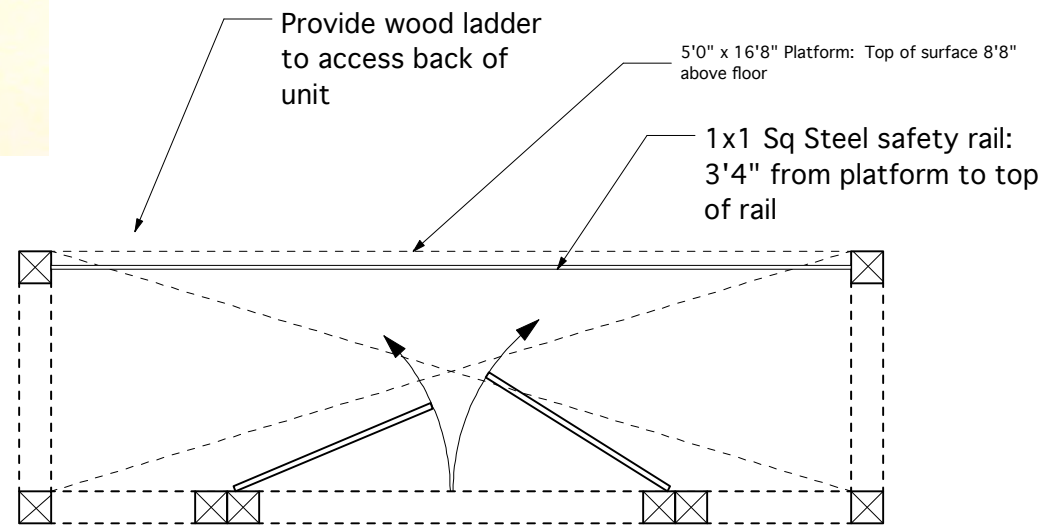
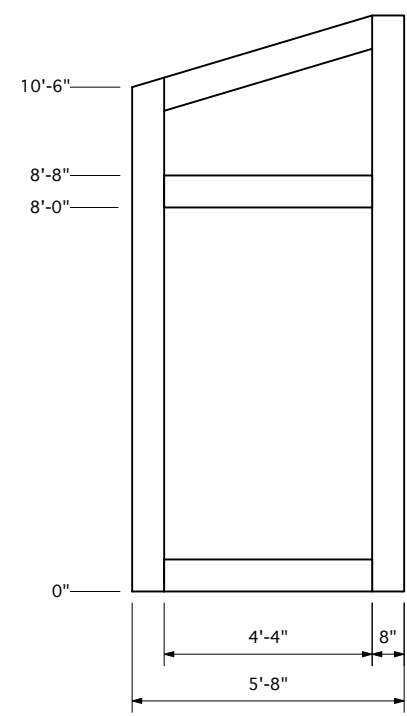


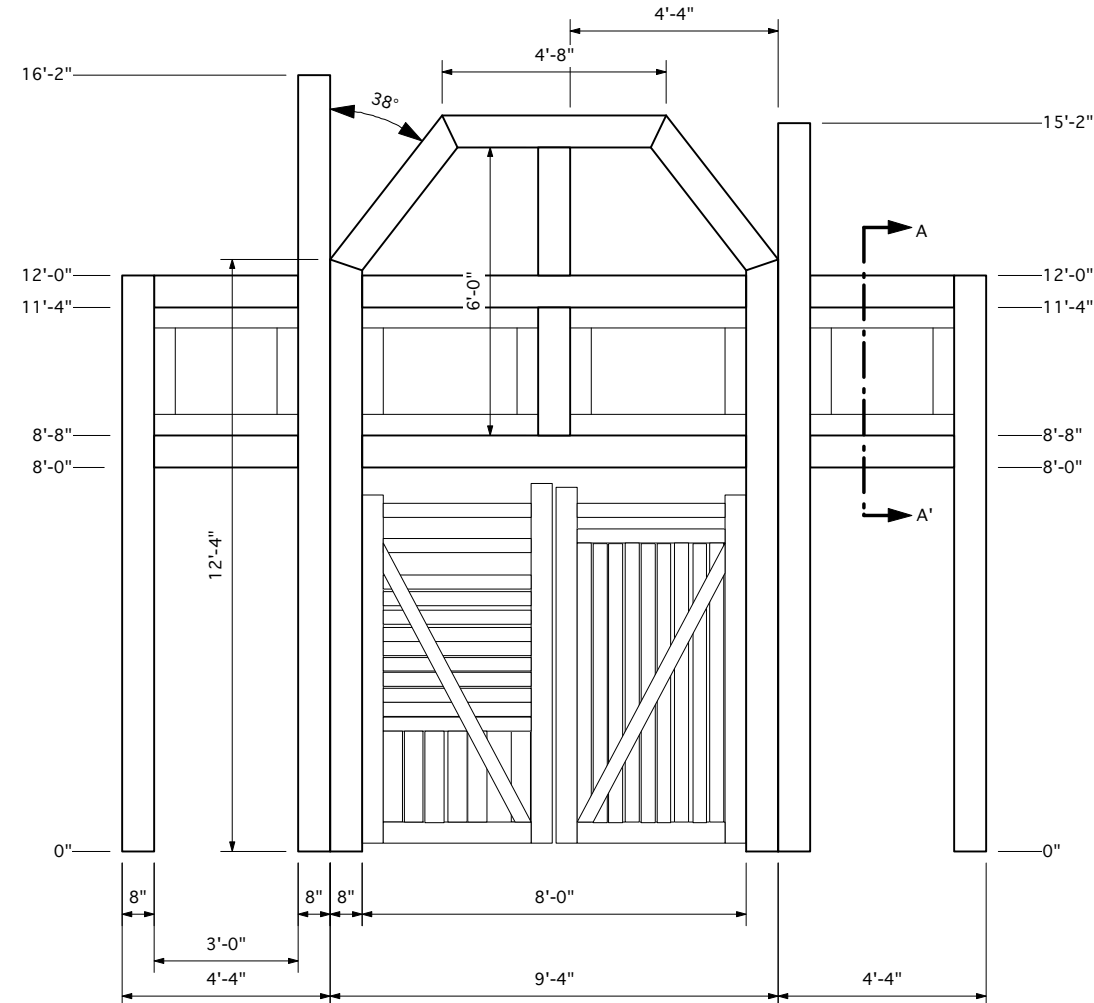
Scenic Unit and Stairs:
Model Pieces



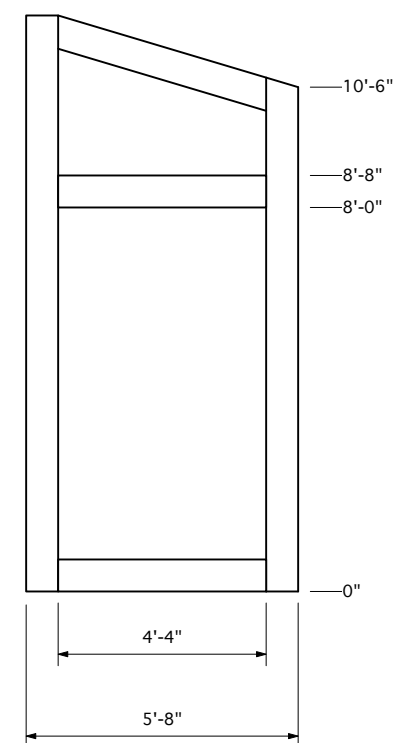
Top View



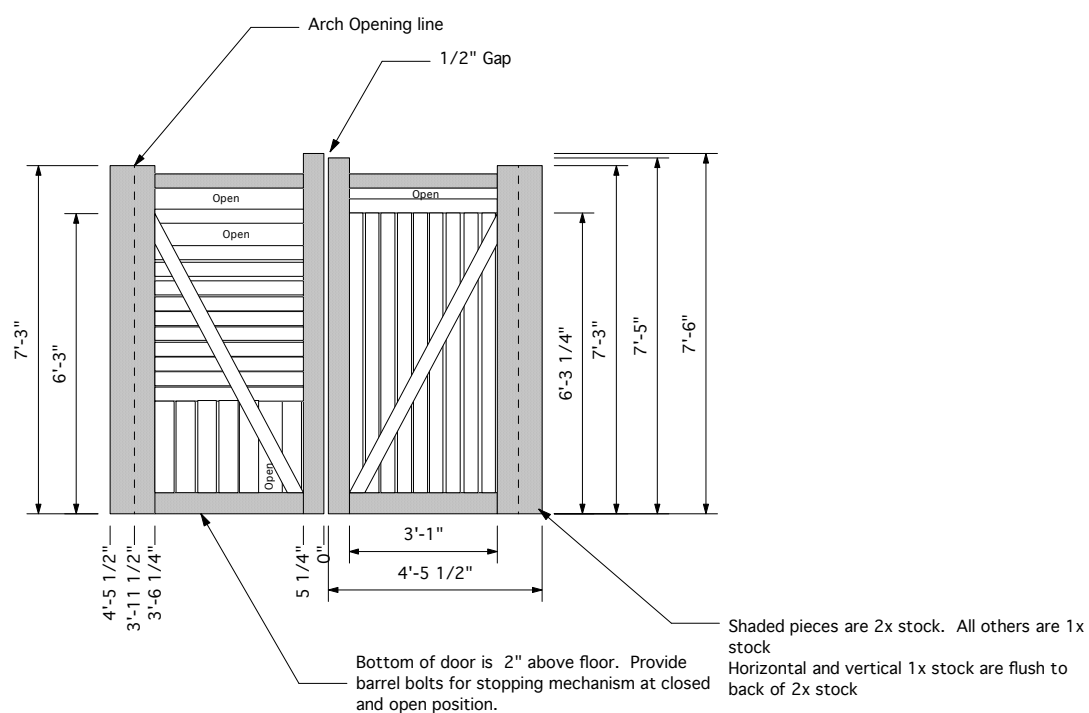
Left Side



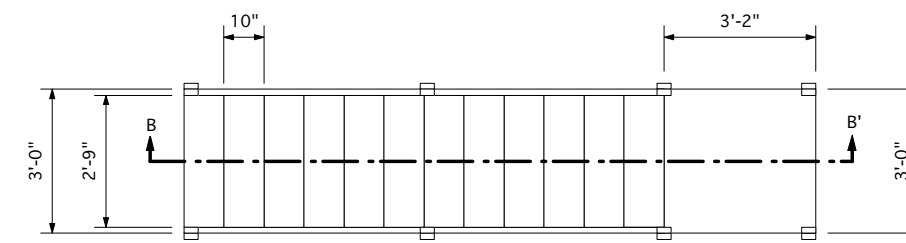
Front View



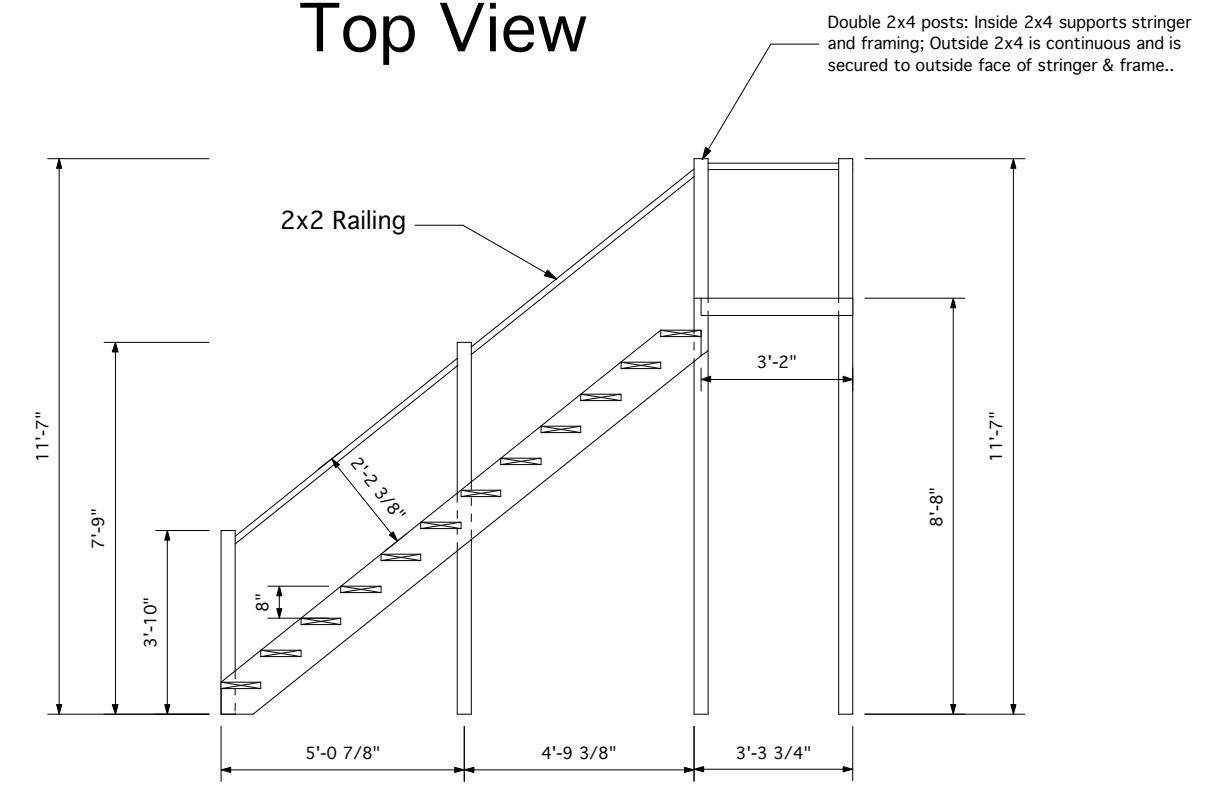
Right Side



View of Door Units



Top View

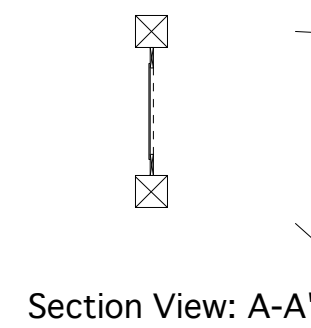


Section View: B-B'

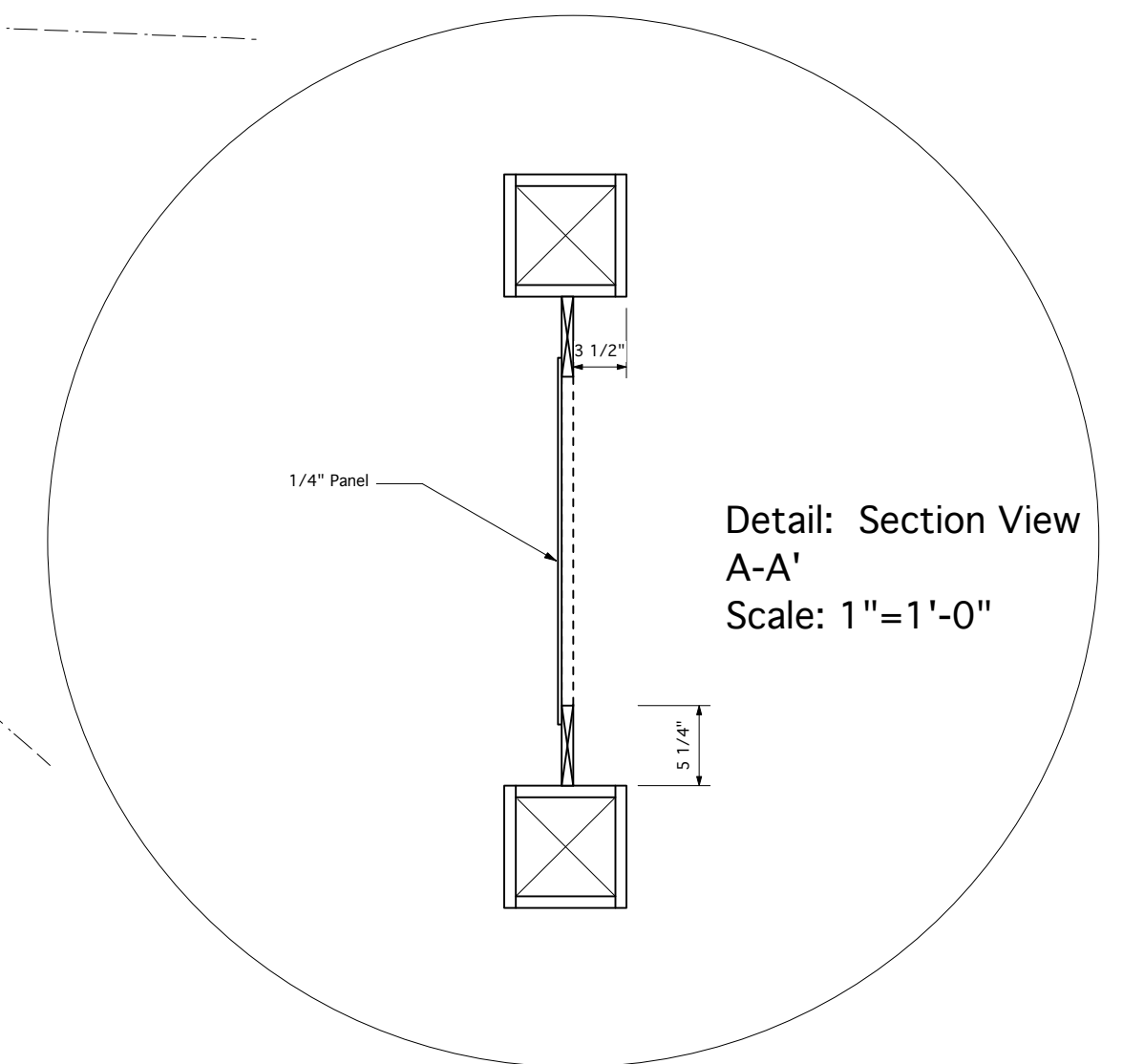


Stair Unit Model Piece

Stair Unit:
On Stage



Section View: A-A'



Beam Structure

The Three Penny Opera	
St. Olaf Kelsey Theater	
Beam Framed Structure and Stair Unit	
1/31/05	Scale: 1/4"=1'-0"
B. Bjorklund	Revision: 2/22/05