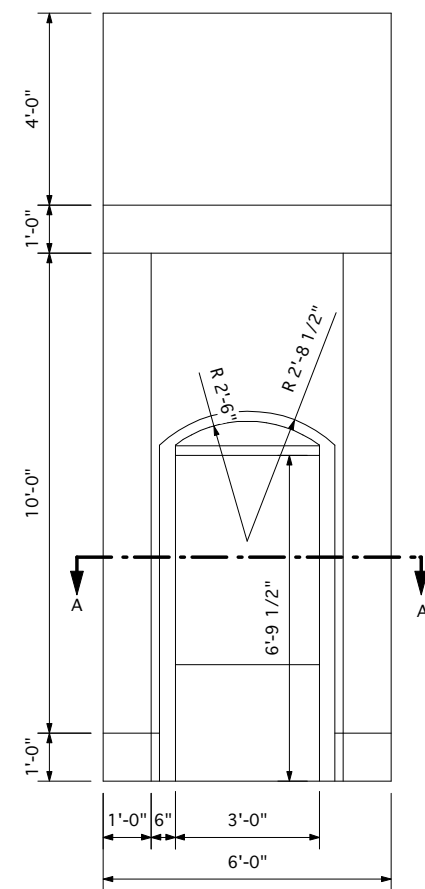


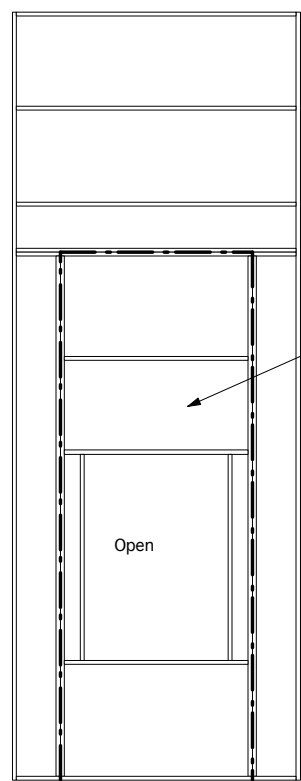
Stage Right Unit

1/4" styro bricks attached to 1/4" Masonite panel. Attach masonite panel to frame. Typical for all similar areas

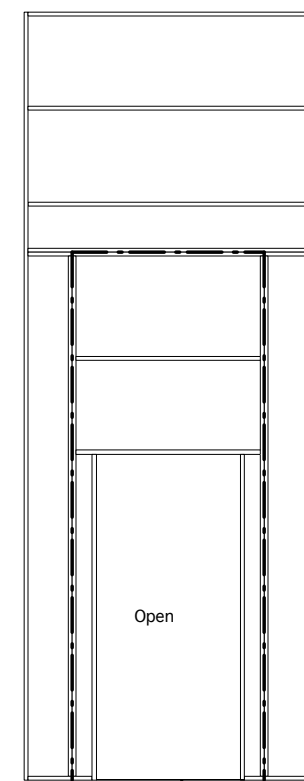
1/2" Insulation board attached to 1/4" masonite panel. Typical for all similar areas



Stage Left Unit



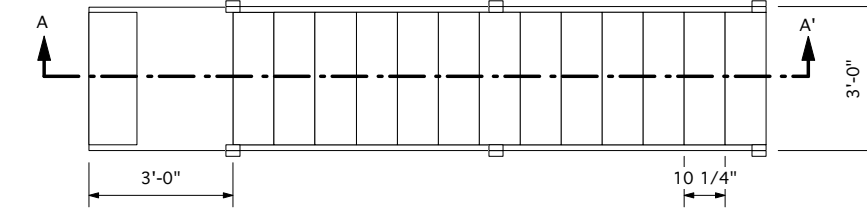
1x1 Square steel frame: Stage Right Unit



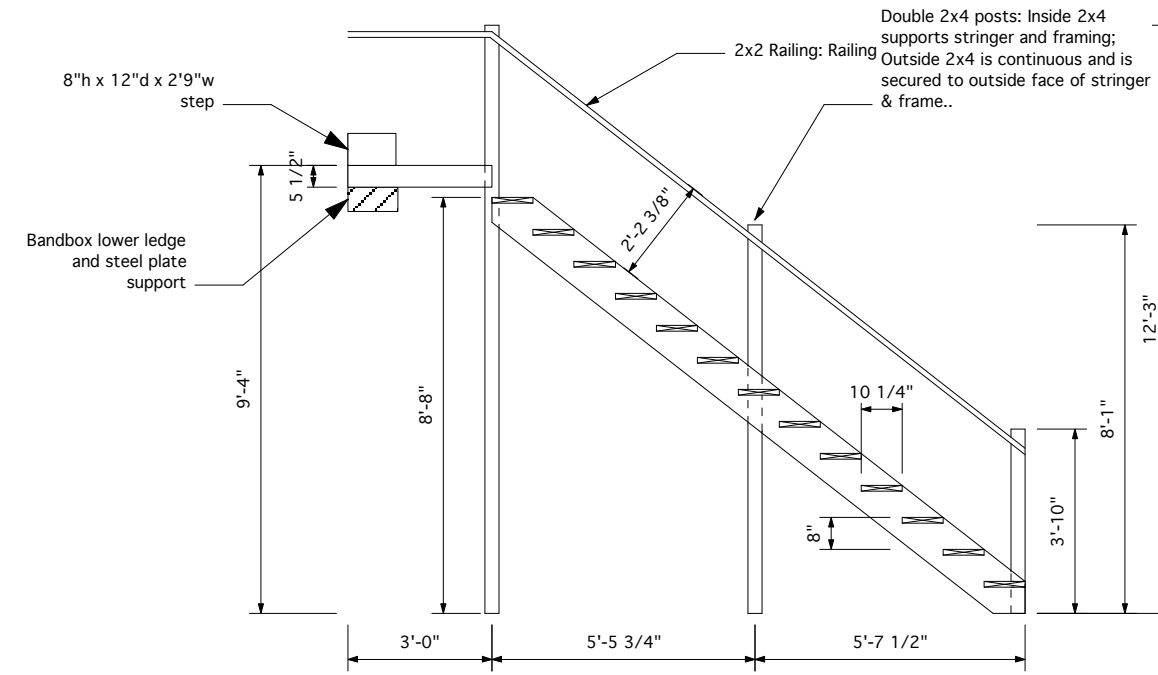
1x1 Square steel frame: Stage Left Unit
1/8" X 1" STRAP IRON

Stage Left and Stage Right Scenery Panels

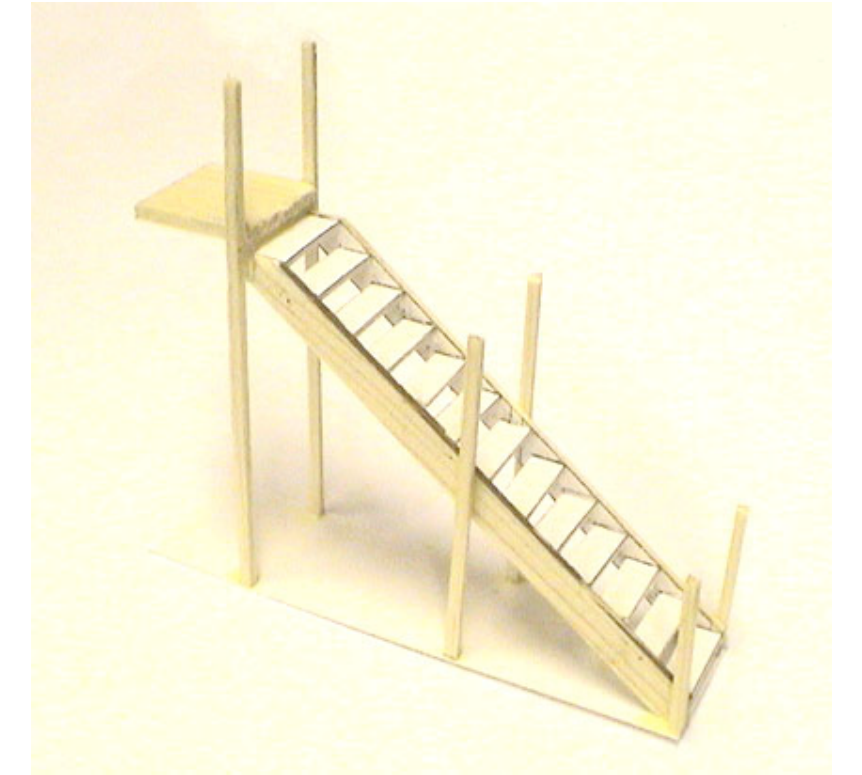
- Units are hinged to smoke pocket on Offstage edges
- Attach fixed caster wheel to onstage bottom edge to allow pivoting
- Include barrel bolt on rear of unit to "lock" panel in place



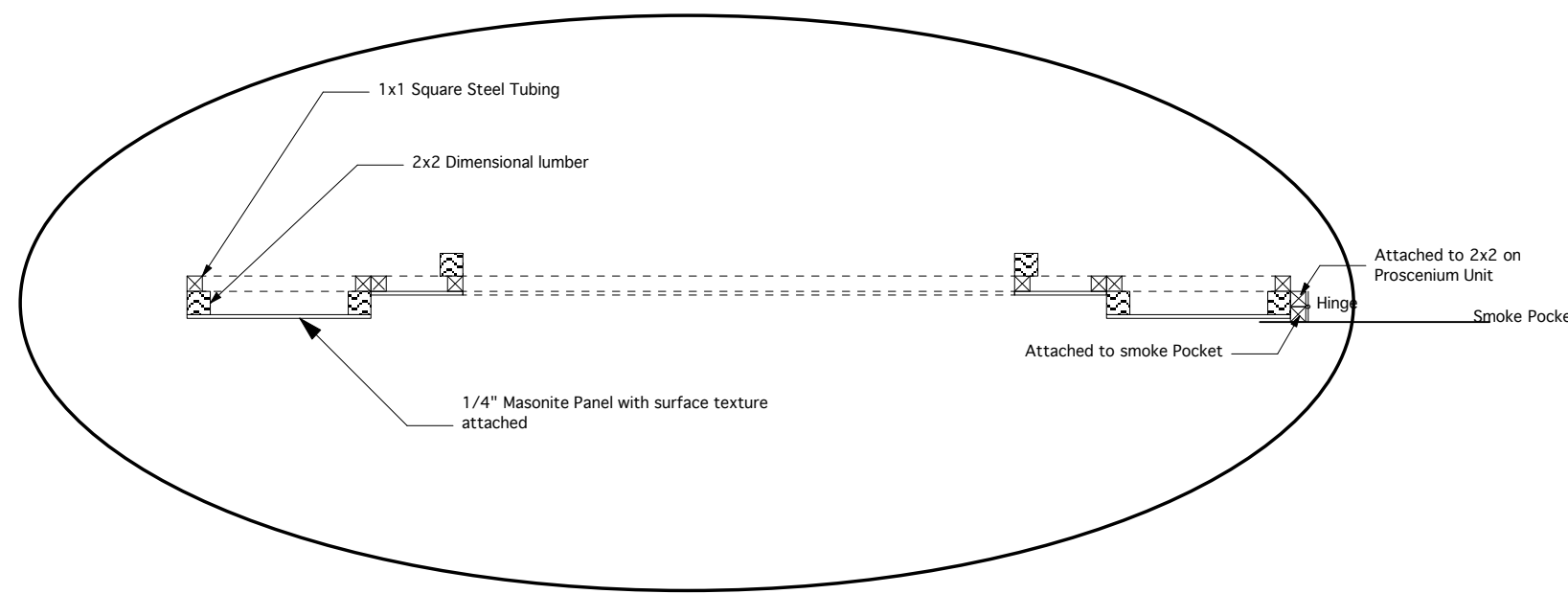
Top View



Section View: A-A'

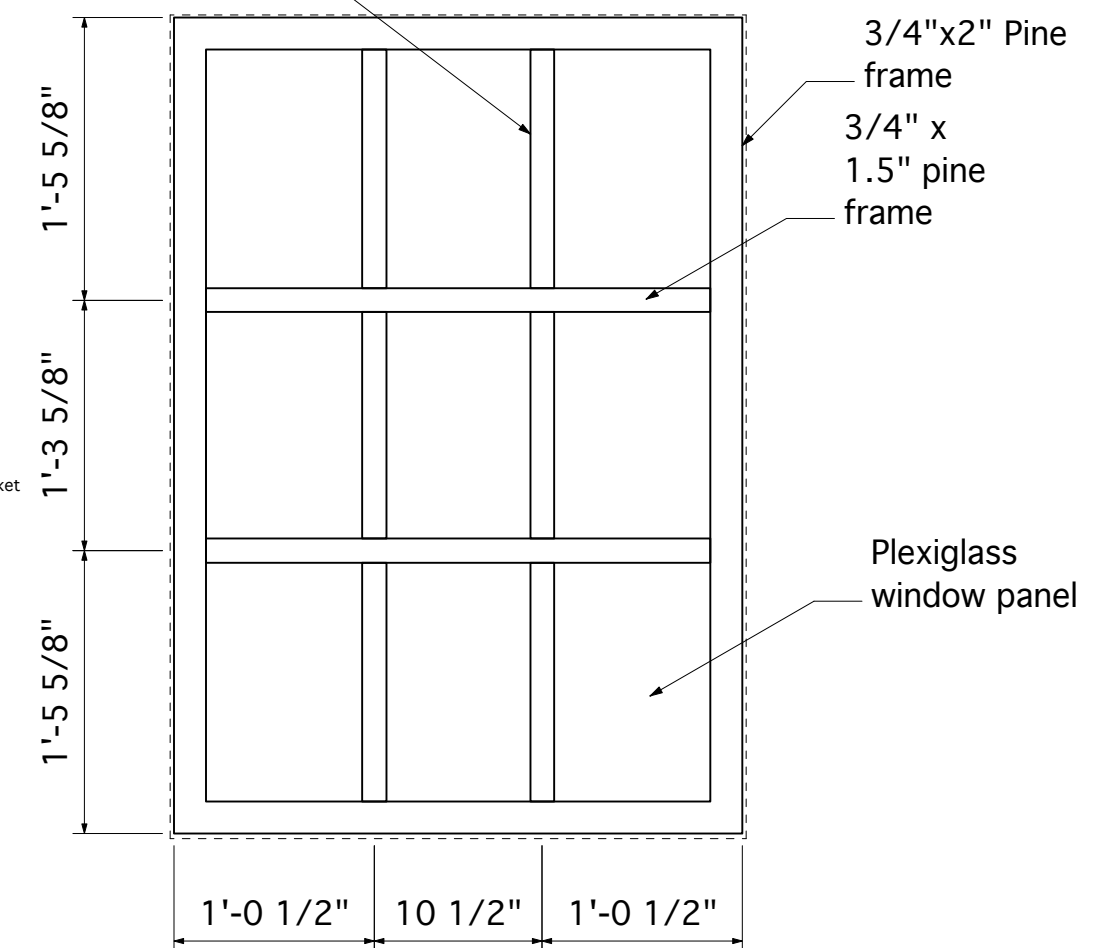


Sidestage Stair Unit



Proscenium Scenery Panel
Section Detail: A-A'
Scale: 1"=1'-0"

Rout edges (typ)- see designer for bit selection



Window Detail: SR Proscenium Panel
Scale: 1"=1'-0"

The Three Penny Opera	
St. Olaf Kelsey Theater	
Proscenium Scenery Panels & Stairs to Band Box	
2/2/05	Scale: 1/4" = 1'-0" unless noted
B. Bjorklund	Revision: 2/7/05