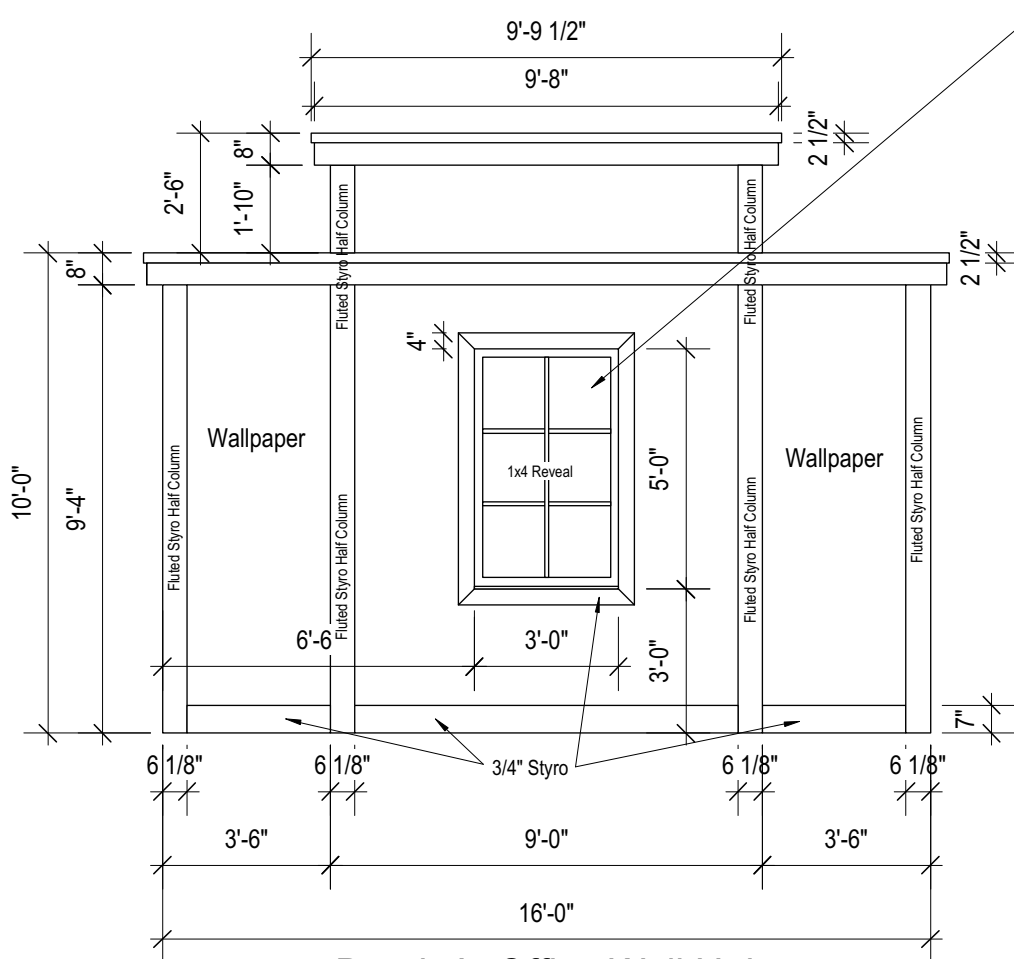
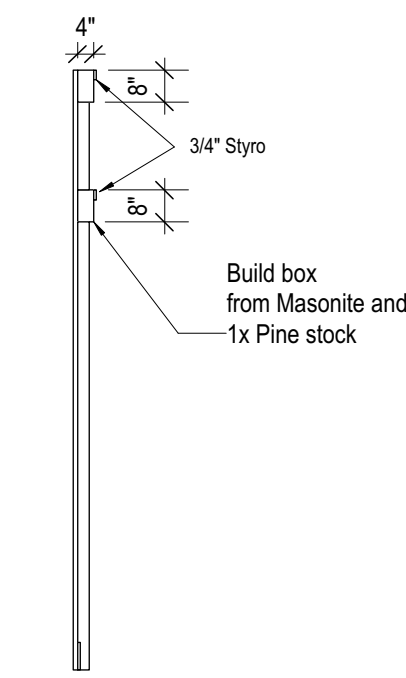


1x4 pine framing with 1/4" Luan covering. Theater Flat Construction



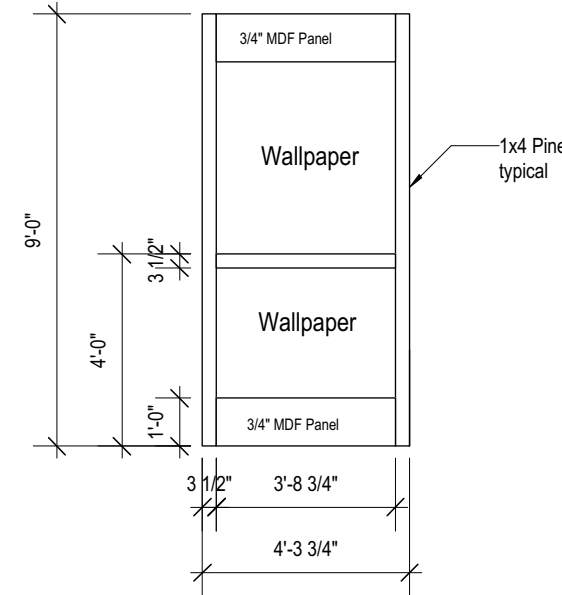
Dentist's Office Wall Unit  
Fly Line 7

See Window Detail on "Elevations Unit Set" Drawing



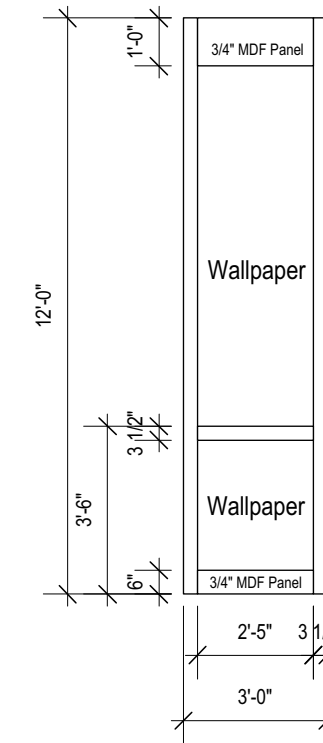
Section Detail

Attach 1/8" Masonite Panel to back of Frame



Make 2

Attach 1/8" Masonite Panel to back of Frame

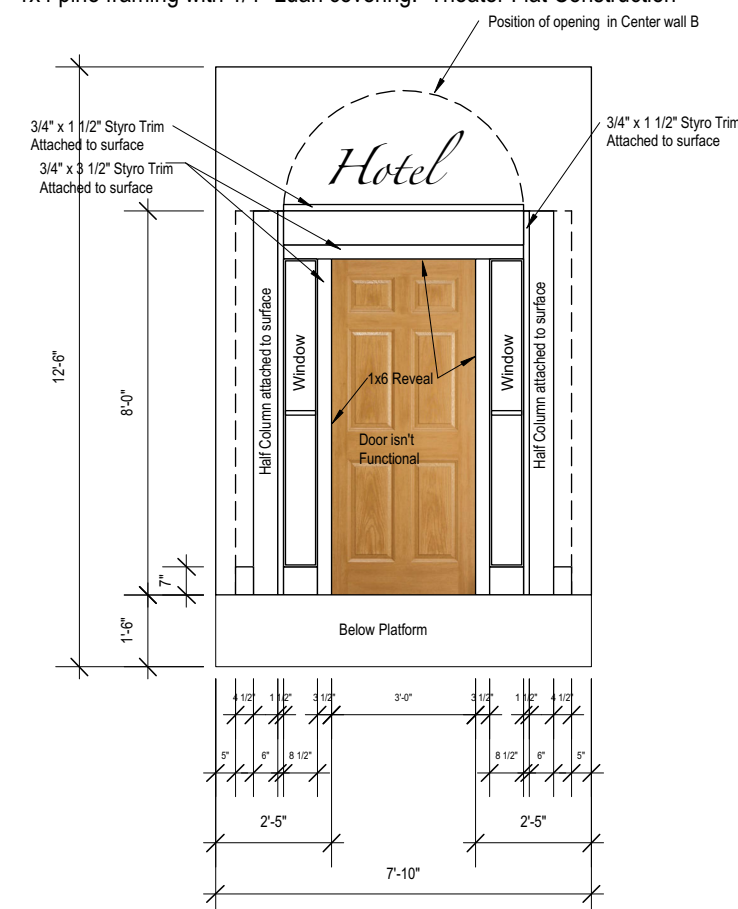


Make 2

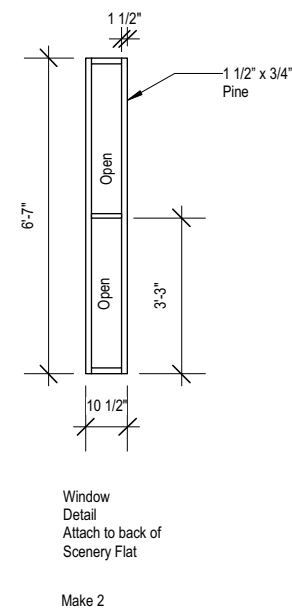
Column Filler Panels

Act 1

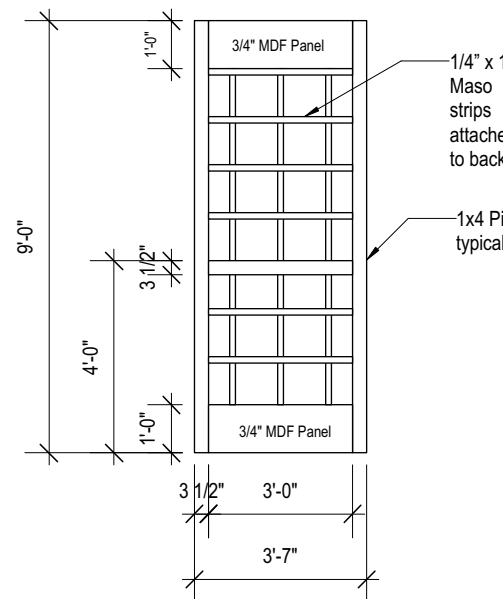
1x4 pine framing with 1/4" Luan covering. Theater Flat Construction



Hotel Entrance Door Unit  
(Fills Center Opening in Wall B)

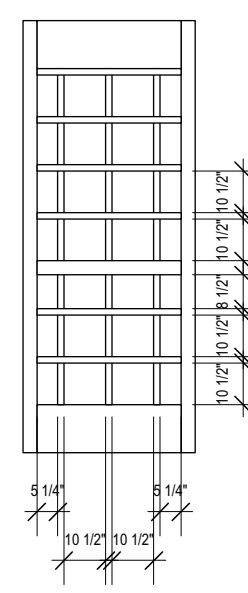


Window Detail  
Attach to back of Scenery Flat  
Make 2



Make 2

Column Filler Panels

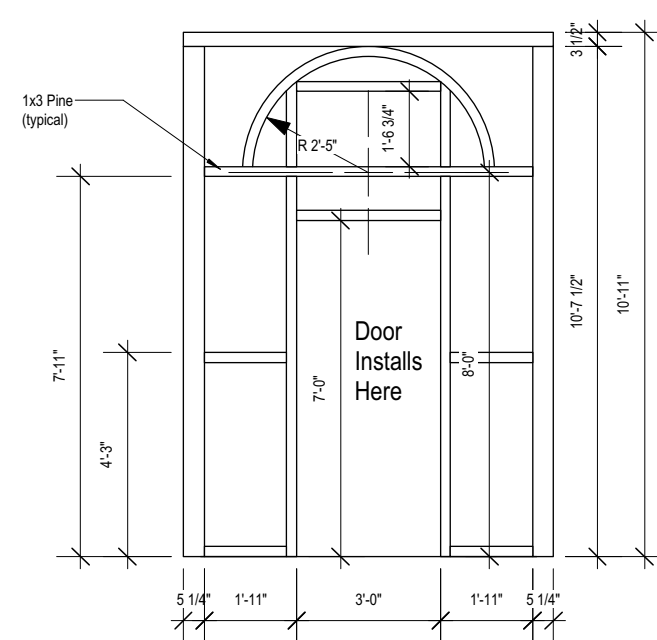


Make 2

Column Filler Panels

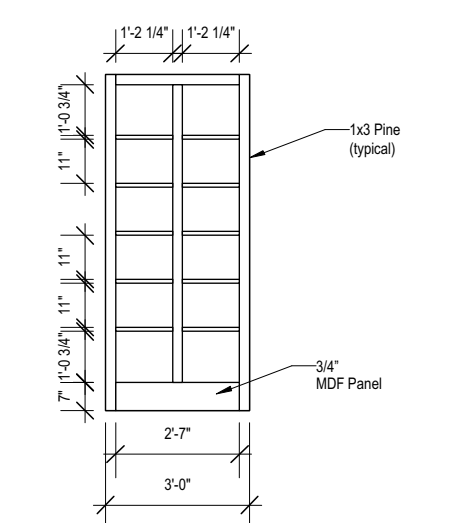
Act 2

Flat Frame construction. Attach plexiglass to back side.



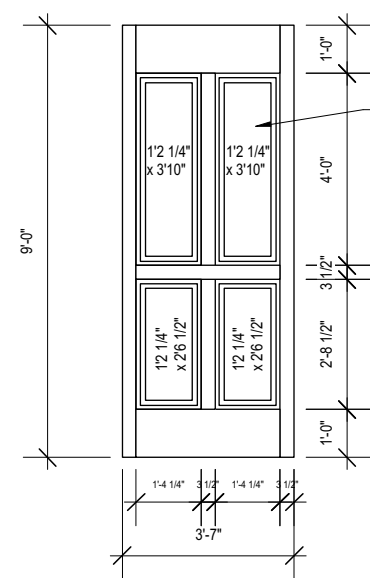
Garden Door Frame  
(Fills Center Opening in Wall B)

Door is functional  
Flat Frame construction. Attach plexiglass to back side.



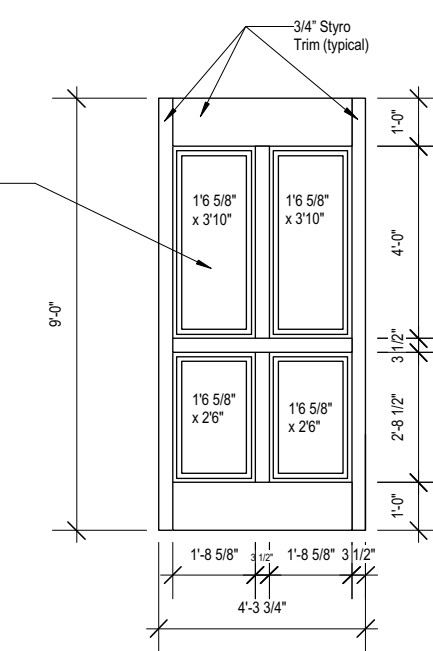
Door Detail

1x4 Flat Framing with 1/8" Masonite Cover.  
3/4" Styro trim and panels attached to Masonite surface



Make 2

Column Filler Panels  
and Wall Panels at SR exit in Wall A



Make 4

Act 3-4

Production Name	You Never Can Tell	
Drawing Name	St. Olaf Kelsey Theatre	
	Elevations Act 1, 2, 3-4	
Date:	1/29/18	Scale: 1/4" = 1'-0"
Name:	B. Bjorklund	Revision: